



GR1653

MOTOR GRADER

平地机

The grader is mainly used for the ground leveling and ditching, slope scraping, bulldozing, soil loosening, snow removal and others of large areas of highways, airports and farmlands etc. It is indispensable to the building construction of national defense construction, mine construction and urban and rural road and others, as well as the water conservancy construction and farmland improvement etc.

平地机主要用于公路、机场、农田等大面积的地面平整和挖沟、刮坡、推土、松土、除雪等作业。是国防工程、矿山建设、城乡道路等建筑施工和水利建设、农田改良等所必须的工程机械。

Performance Characteristics / 性能特点

- It is equipped with National III turbo-charging diesel engine. With large output torque and great power reserve coefficient, the fuel consumption is low.
- The drive axle is the dedicated rear axle of XCMG, and the rear axle operates in the manner of equalizing suspension system to guarantee uniform load of the four wheels and fully give play to its adhesive ability. The main drive of rear axle is equipped with "NO-SPIN" self-locking differential mechanism. In case of wheel-slip in one side, wheels in the other side can still transmit the original torque. Therefore, sufficient traction can be guaranteed for the whole machine regardless of the pavement conditions.
- The front axle is a steering axle. The axle can swing from left to right. In addition to the front-wheel steering, the machine is also equipped with articulated frame, which can further reduce the radius of turning circle.
- The hood is composed of structural components, with attractive and smooth appearance, side doors and rotatable feature as a whole and maintainability is enhanced.
- The cab is a closed one equipped with the air conditioning system, and the interiors are compression molding parts with smooth appearance, fully meeting the requirement of ergonomics.
- 采用国Ⅲ涡轮增压柴油机。输出扭矩和功率储备系数大，油耗低。
- 驱动桥为徐工专用后桥，后轴采用平衡悬挂方式能够保证四个车轮负荷均匀，有利于充分发挥它的附着能力。后桥主传动装有“NO-SPIN”无自转自锁差速器。当一侧车轮打滑时，另一侧车轮仍然能传递其原有扭矩。因此，无论路面情况如何均能保证整机有足够的牵引力。
- 前桥为转向桥。桥体可左右摆动。该机除前轮转向外，还采用了铰接车架，可使转弯半径进一步减小。
- 机罩采用结构件，造型美观流畅，两侧开侧门，整体可翻转，提高了维修性。
- 采用密封驾驶室，配置空调系统，内饰件为造型流畅的压塑件，充分体现了人机工程的需要。

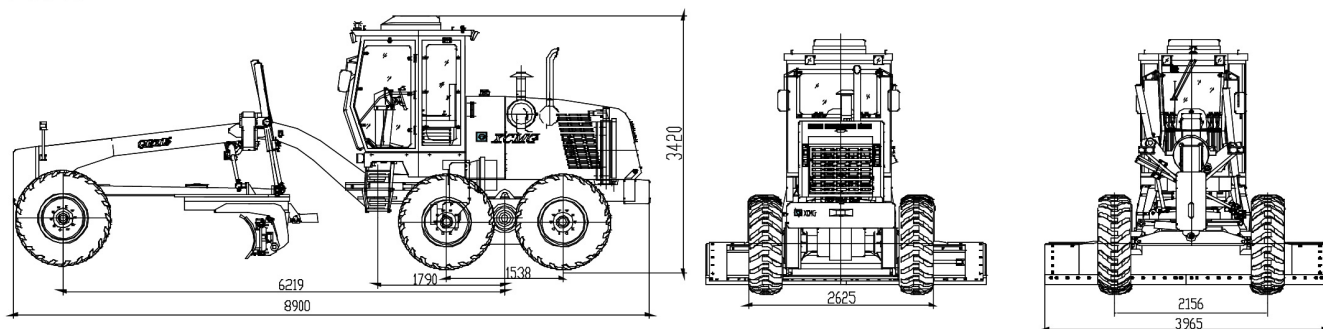
GR1653

MOTOR GRADER

平地机

Main Dimensions

主要尺寸



Main Specifications

主要技术参数

	Item	项目	GR1653	
Basic parameters 基本参数	Engine model	发动机型号	SC7H180.1G3	
	Rated power/speed	额定功率/转速	132kW/2000rpm	
	Overall dimension (standard)	整机外型尺寸 (标配)	8900x2625x3420	
	Total weight (standard)	整机重量 (标配)	14500 kg	
	Tire specification	轮胎规格	17.5-25	
	Ground clearance (front axle)	离地间隙 (前桥)	430mm	
	Tread	轮距	2156mm	
	Space of front and rear axles	前后桥距	6219 mm	
Performance parameters 性能参数	Space of middle and rear wheels	中后轮距	1538 mm	
	Forward velocity	前进速度	5、8、11、19、23、38km/h	
	Reverse speed	后退速度	5、11、23km/h	
	Tractive effort f=0.75	牵引力f=0.75	77 kN	
	Maximum gradeability	最大爬坡能力	20%	
	Inflation pressure of tires	轮胎充气压力	260kPa	
	Working system pressure	工作系统压力	20MPa	
	Transmission pressure	变速箱压力	1.3—1.8Mpa	
	Working parameters 工作参数	Maximum steering angle of front wheels	前轮最大转向角	±48°
		Maximum inclination angle of front wheels	前轮最大倾斜角	±17°
Maximum swing angle of front axle		前桥最大摆动角	±15°	
Maximum swing angle of balance box		平衡箱最大摆动角	Front 15°, rear 15°	
Maximum steering angle of frame		车架最大转向角	15° ±27°	
Minimum turning radius		最小转弯半径	7.1m	
Blade		Maximum lifting height	最大提升高度	400mm
		Maximum shoveling depth	最大铲土深度	500mm
		Maximum lateral inclination angle	最大侧倾角度	90°
		Cutting angle	切削角	28° —70°
	Slewing angle	回转角	360°	
	Length × chord height	长度x弦高	3660x610mm	
Oil filling amount 加注油量	Coolant	冷却液	50L	
	Fuel tank	燃油箱	280L	
	Engine	发动机	24L	
	Transmission	变速箱	38L	
	Balance box	平衡箱	46L	
	Drive axle	驱动桥	28L	
	Hydraulic oil	液压油	110L	



Machmall.com is an electromechanical product platform officially launched by XCMG, aiming to provide global customers with a complete set of high-quality construction machinery solutions and supporting equipment.


Xuzhou Construction Machinery Group Co., Ltd. (XCMG Group), founded in 1943, is the fourth largest worldwide construction machinery manufacturer and the largest in China with products covering 183 countries and regions.

XCMG have 12 complete solutions:Crane lifting,Mining Construction,Earth-moving Solutions,Road Machinery,Concrete Equipment,Tunnel and Underground Space Construction,Mobile Elevating Work Platform (MEWP),Piling and Non-excavation Equipment,Transportation Equipment, Environmental Sanitation Equipment,Firefighting,Safety and Emergency Rescue



 <https://www.machmall.com/>

 machmall@xcmg.com

 0086 18652183963
86-516 8773 9797